

I 418 889

(21) Application No. 58913/72 (22) Filed 20 Dec. 1972 (19)

(44) Complete Specification published 24 Dec. 1975

(51) INT. CL.² A46B 15/00 B25G 3/34

(52) Index at acceptance

A4K 2A5 2A6A 2A9
B4K 2D 4A 4C 7B1A 7B2B



(54) IMPROVEMENTS IN OR RELATING TO PAINT APPLICATORS

(71) I, PETER MARTIN, a British subject, of Whitefriars, Broad Lane, Hale, Cheshire, do hereby declare the invention, for which I pray that a patent may be granted to me, and the method by which it is to be performed, to be particularly described in and by the following statement:—

This invention relates to paint applicators. It is an object of the present invention to provide a paint applicator which is simpler to use by an unskilled person than the conventional paint brush.

According to the present invention there is provided a paint applicator comprising a handle constituted by a platform having connected thereto in parallel spaced relationship by end members a grip portion, and a paint-applying pad including a layer of resin-sealed foam material, which pad is permanently secured (as hereinafter defined) to the platform at the side remote from the grip portion.

By "permanently secured" is meant that the paint-applying pad cannot be separated from the platform without damage to the pad or platform such that the pad cannot properly be re-secured to the platform to permit efficient working of the applicator by a user.

An embodiment of the present invention will now be described, by way of example, with reference to the accompanying drawings, in which:—

Fig. 1 is a perspective view of a paint applicator according to the present invention; and,

Figs. 2 and 3 are respectively sectional views on the line II—II and III—III of Fig. 1.

The paint applicator comprises essentially a handle and a paint-applying pad. The handle and pad are permanently secured together as hereinbefore defined. The handle is moulded from a plastics material and comprises a platform 10 having a peripheral lip 11 which defines a recess in which the pad 12 is received and permanently secured.

The platform 10 is integral with a grip portion 13 parallel with the platform 10 and spaced but interconnected thereto by end members 14.

The platform 10 and end members 14 have integral reinforcing triangular shaped ribs 15 but these are not essential and may be omitted.

The platform 10 has a central aperture 16 beneath the grip portion 13 but this serves no function and is necessitated by the moulding process and tools. An upstanding rib 17 is provided at a pair of opposed sides of the aperture 16 but here again these are not essential.

It is also to be noted that the lip 11 is not essential and can be omitted.

The paint-applying pad 12 is three layered comprising a thin sheet 17 of plastics material, an intermediate foam layer 18 which is resin-sealed and a layer 19 of mohair bristles or tufts.

The sheet 17 may, if desired, be omitted thus providing a two-layered pad.

The pad 12 is permanently secured to the platform 10 as hereinbefore defined by, for example, glueing, heat sealing or bonding, by shrinking the lip around the pad or by any other method which satisfies the above definition of "permanently secured".

The abovedescribed paint applicator is easy to use by even the most unskilled person; it is attractive in appearance and economic to manufacture.

WHAT I CLAIM IS:—

1. A paint applicator comprising a handle constituted by a platform having connected thereto in parallel spaced relationship by end members a grip portion, and a paint-applying pad including a layer of resin-sealed foam material, which pad is permanently secured (as hereinbefore defined) to the platform at the side remote from the grip portion.
2. A paint applicator as claimed in claim 1 in which the pad is glued to the platform.
3. A paint applicator as claimed in claim 1, in which the pad is heat sealed or bonded to the platform.

[Price 33p]

4. A paint applicator in which the platform has a peripheral lip which is shrunk around the pad.

5. A paint applicator as claimed in any preceding claim in which the foam material has secured thereto a layer of mohair bristles or tufts.

6. A paint applicator as claimed in claim 5, in which the resin-sealed foam material

has integral therewith on the side remote from the layer of mohair a thin sheet of plastics material. 10

7. A paint applicator substantially as hereinbefore described with reference to the accompanying drawings. 15

MARKS & CLERK,
Chartered Patent Agents,
Agents for the Applicant.

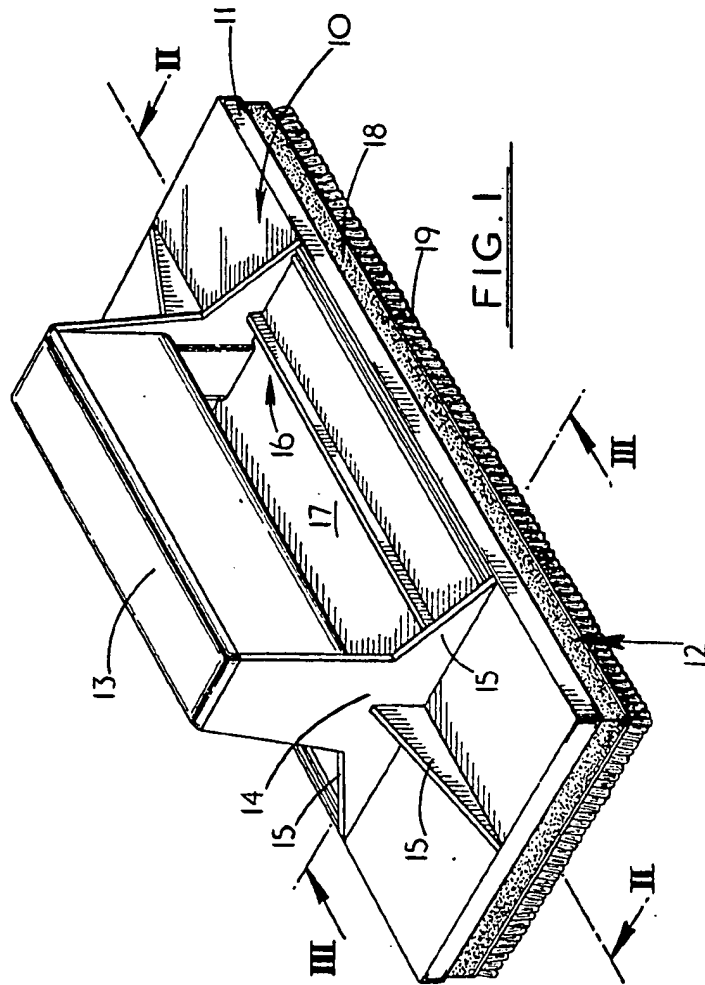
Printed for Her Majesty's Stationery Office by Burgess & Son (Abingdon), Ltd.—1975.
Published at The Patent Office, 25 Southampton Buildings, London, WC2A 1AY
from which copies may be obtained.

1418889

COMPLETE SPECIFICATION

2 SHEETS

This drawing is a reproduction of
the Original on a reduced scale
Sheet 1



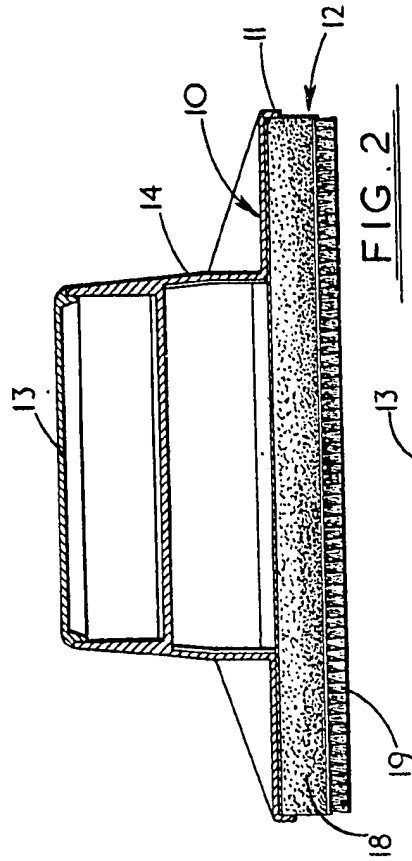


FIG. 2

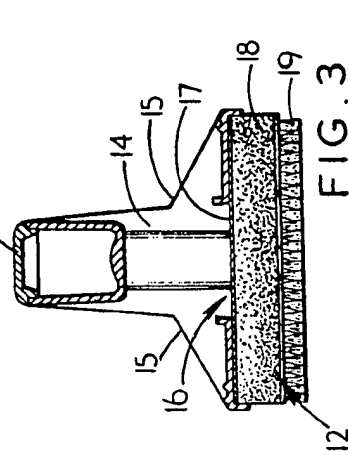


FIG. 3